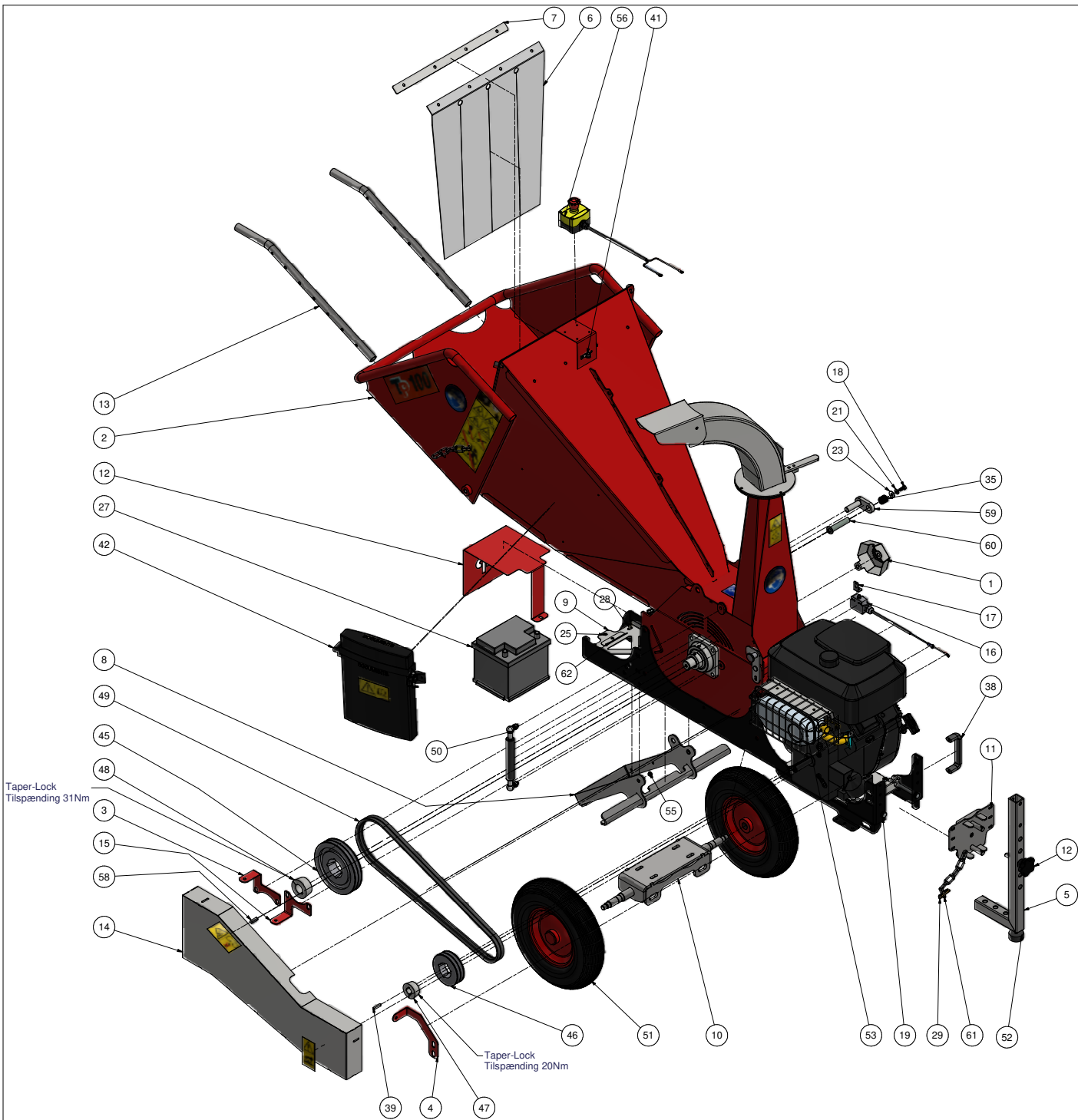


Wood Chipper  
Flishugger

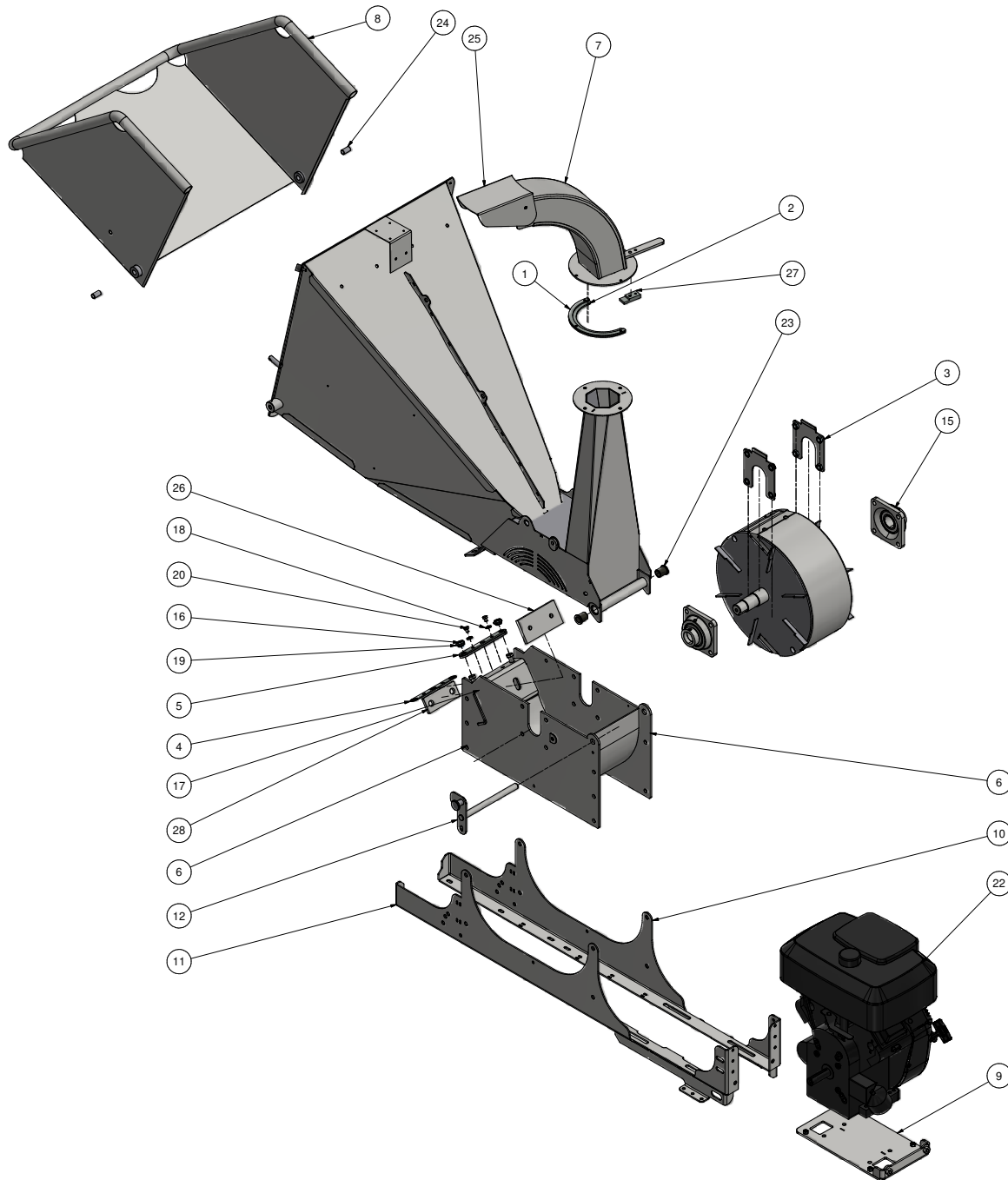
**SPARE PARTS CATALOGUE  
RESERVEDELSKATALOG**

**TP 100 MOBILE**

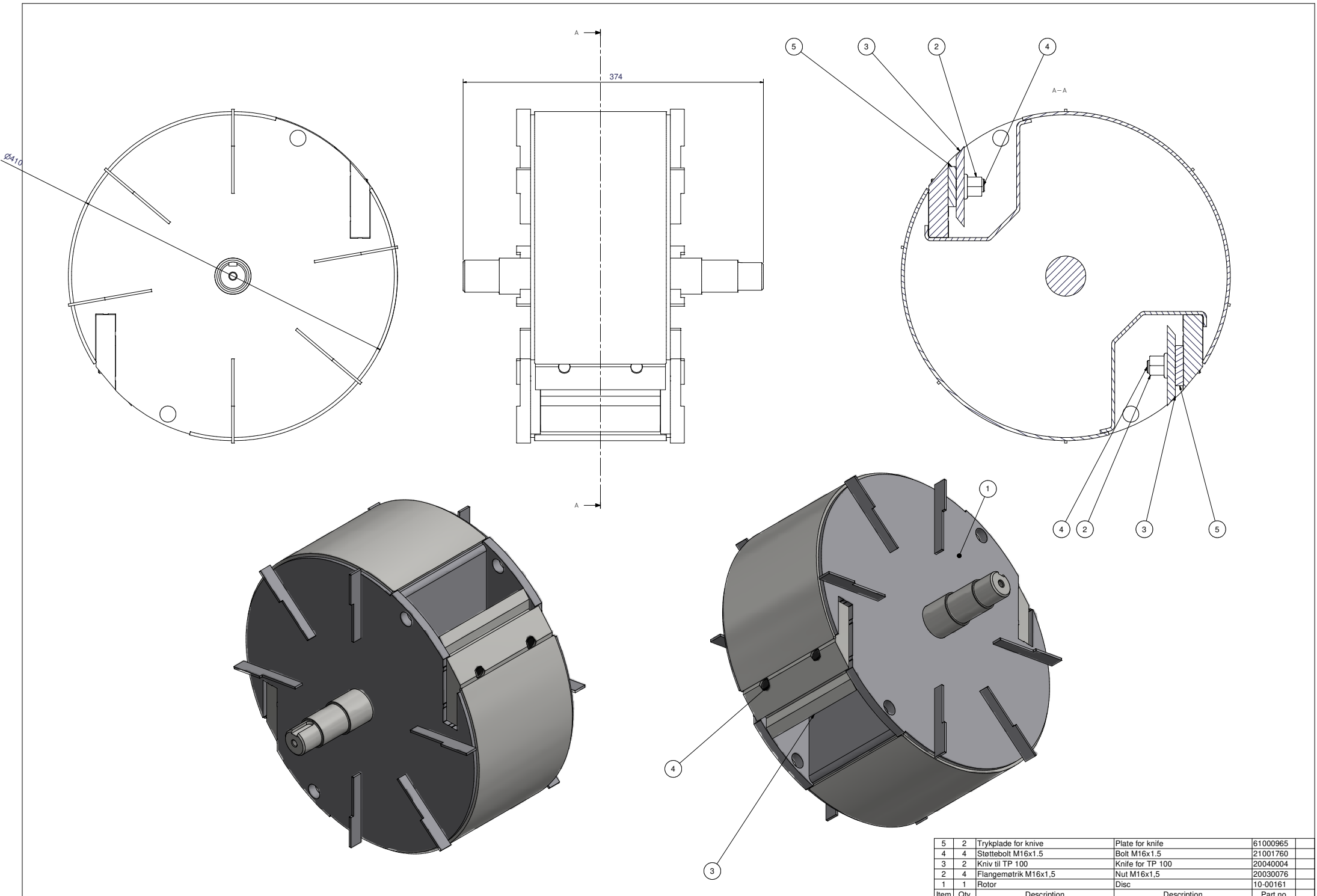
Valid from/Gældende fra: 03-12-2018



|      |     |                                |                                    |          |
|------|-----|--------------------------------|------------------------------------|----------|
| 62   | 2   | Bespændingsplade, lav 12V/50Ah | Fasten plate, low 12V/50Ah         | 81001578 |
| 61   | 2   | Meterkæde for lang tragt       | Metre chain for long funnel        | 51004930 |
| 60   | 1   | Holder til rotorlås            | Support for disc lock              | 51003990 |
| 59   | 1   | Rotorlås                       | Lock for disc                      | 51003970 |
| 58   | 1   | Not 10x8x32 f. foreste valse   |                                    | 21001885 |
| 13   | 1   | Test Nødstop                   | Test Emergency Stop                | 20042348 |
| 56   | 1   | Nødstop komplet                | Emergency stop                     | 20042347 |
| 55   | 2   | Foring Ø10                     | Lining ø10                         | 20042318 |
| 12   | 1   | Stjernegreb M12x70             | Stargrip M12x70                    | 20042316 |
| 53   | 1   | Udstødning til Vanguard 18hk   | Exhorst for Vanguard 18hp          | 20042287 |
| 52   | 1   | Vibrationsdæmper               | Vibration absorber                 | 20042285 |
| 51   | 2   | Hjul for aksel TP 100 Mobil    | Wheel 4.80/4.00-8                  | 20042284 |
| 50   | 1   | Gasfjeder                      | Gas spring                         | 20042283 |
| 49   | 2   | Kilerem SPA 1582 GATES         | V-belt SPA 1582                    | 20042282 |
| 48   | 1   | Taper lock 2012x35             | Taper lock 2012x35                 | 20042281 |
| 47   | 1   | Taper lock 1610x1"             | Taper lock 1610x1"                 | 20042280 |
| 46   | 1   | Kileremskive SPA 112x2 1610    | V-belt pulley SPA 112x2 1610       | 20042279 |
| 45   | 1   | Kileremskive SPA 190x2 2012    | V-belt pulley SPA 190x2 2012       | 20042278 |
| 11   | 1   | Varm overflade                 | Hot surface                        | 20042021 |
| 10   | 1   | Fjern nøgle                    | Remove key                         | 20042011 |
| 42   | 1   | Manual boks                    | Manual box                         | 20041997 |
| 41   | 1   | Gummi clamp Ø11,1              | Rubber clamp Ø11,1                 | 20041981 |
| 9    | 2   | Tjek tragt skilt               | Check funnel signs                 | 20041970 |
| 39   | 1   | Not 1/4"x1/4"x35               |                                    | 20041444 |
| 38   | 1   | Håndtag                        | Handle                             | 20041311 |
| 8    | 1   | Løftepunkt                     | Lifting point                      | 20041103 |
| 7    | 2   | Træd ikke op i tragten         | Dont step into the funnel          | 20040988 |
| 35   | 1   | Trykfjeder til rotorlås        | Pressure spring for disc lock      | 20040767 |
| 6    | 1   | Sikkerhedsafstand 20m          | Safety distance 20m                | 20040514 |
| 5    | 1   | Advarselsskilt rotor           | Warning sign rotor                 | 20040513 |
| 4    | 1   | Advarselsskilt remme           | Warning sign belts                 | 20040512 |
| 3    | 1   | Læs instruktionsbog skilt      | Read Manual sign                   | 20040510 |
| 2    | 2   | Klistermærke TP 100            | Sticker TP 100                     | 20040491 |
| 29   | 2   | Sikringsplit Ø6x27/32          | Ring pin, Ø6x27/32                 | 20040482 |
| 28   | 4   | Vibrationsdæmper Ø30xM8        | Vibration absorber Ø30xM8          | 20040389 |
| 27   | 1   | Batteri 12V/50AH               | Battery 12V/50AH                   | 20040158 |
| 1    | 3   | Hørevern blå skilt ø100        | Ear protectores blue sticker ø100  | 20040059 |
| 25   | 4   | Popnitte 8 mm, 6 kantet        | Rivet nut 8 mm, 6 edge             | 20030331 |
| 24   | 2   | Nord-Lock skive 12 mm          | Nord-Lock washer 12 mm             | 20030256 |
| 23   | 1   | Underlagsskive 5/16" x 25      | Washer 5/16" x 25                  | 20030189 |
| 22   | 1   | Rip-lock 12mm                  | Rip-lock 12mm                      | 20030124 |
| 21   | 1   | Rip-lock 8 mm                  | Rip-lock 8 mm                      | 20030122 |
| 20   | 2   | Låsemøtrik M12                 | Locking nut M12                    | 20030044 |
| 19   | 2   | Sætskrue M12x130               | Set screw M12x130                  | 20030020 |
| 18   | 1   | Sætskrue M8x20                 | Set screw M8x20                    | 20030003 |
| 17   | 1   | Beslag for elstop              |                                    | 13-00131 |
| 16   | 1   | Samlet sikkerhedskontakt       | Complete safty contact             | 10-00222 |
| 15   | 1   | Skærm beslag nr. 1             | Cover bracket no. 1                | 10-00212 |
| 14   | 1   | Samlede skærm til kileramme    | Total screen for wedge frame       | 10-00207 |
| 13   | 2   | Håndtag                        | Handle                             | 10-00188 |
| 12   | 1   | Batterikasse                   | Battery box                        | 10-00178 |
| 11   | 1   | Beslag til støtteben           | Bracket for support leg            | 10-00174 |
| 10   | 1   | Hjulaksel komplet              | Wheel axle complete                | 10-00172 |
| 9    | 1   | Bund for batteriplade          | Bottom of battery plate            | 10-00168 |
| 8    | 1   | Bremse og støttebeslag komplet | Brake and support fixture complete | 10-00167 |
| 7    | 1   | Skinne til gardin              | Band for curtain                   | 10-00159 |
| 6    | 1   | PVC-gardin til tragt           | PVC-curtain for funnel             | 10-00158 |
| 5    | 1   | Komplet tilkobling             | Complete connection                | 10-00130 |
| 4    | 1   | Skærm beslag nr. 2             | Cover bracket no. 2                | 10-00119 |
| 3    | 1   | Skærm beslag nr. 1             | Cover bracket no. 1                | 10-00118 |
| 2    | 1   | Grundmodul                     | Basic module                       | 10-00113 |
| 1    | 1   | Akselafdækning                 | Shaft cover                        | 10-00040 |
| Item | Qty | Description                    | Description                        | Part no  |



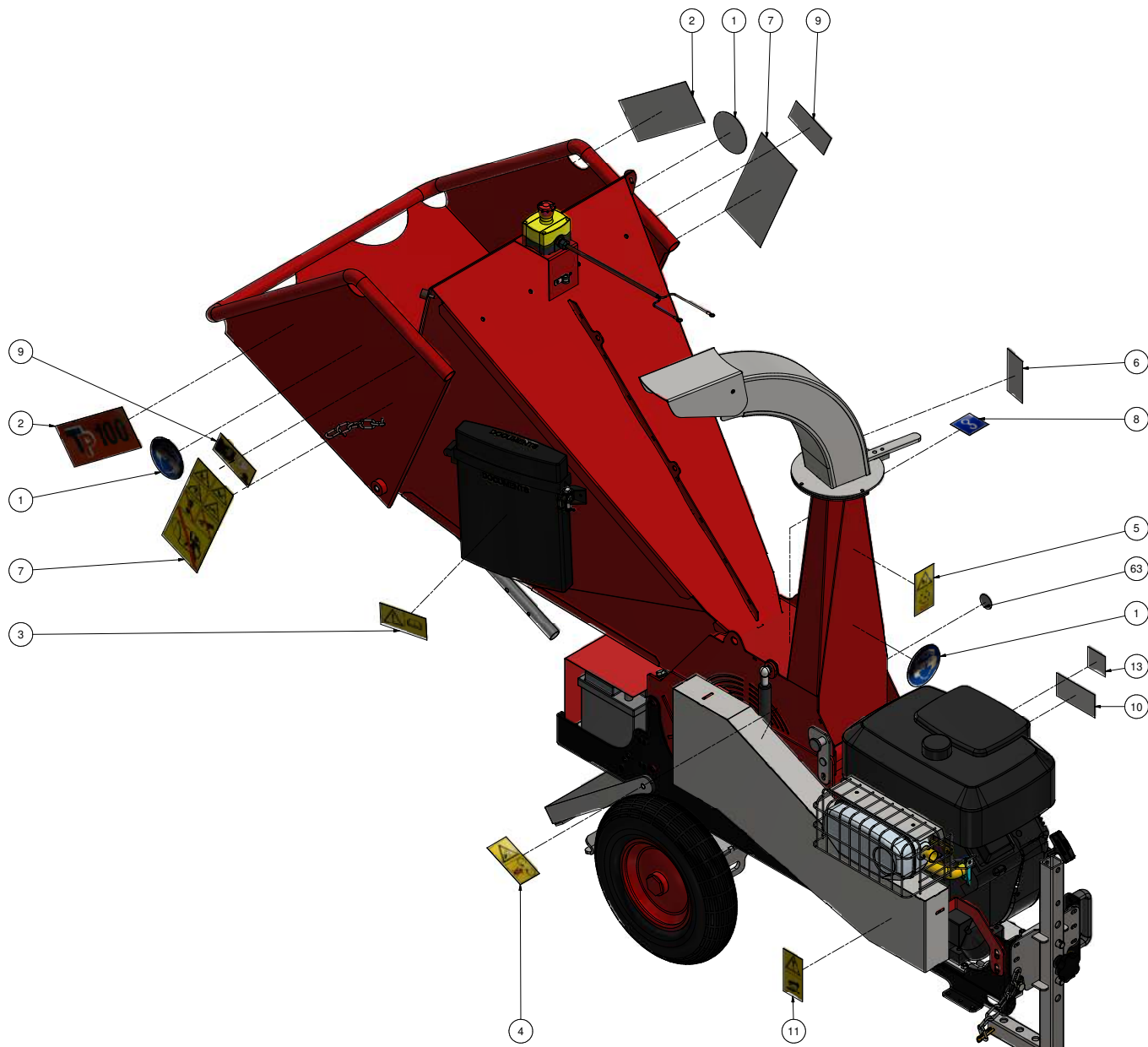
| 28   | 1   | Spændeplade for modstål      | Plate for counterknife           | 61001140 |  |
|------|-----|------------------------------|----------------------------------|----------|--|
| 27   | 1   | Spændeplade f udkasterør     | Clamping plate for ejector spout | 61001050 |  |
| 26   | 1   | Modstål TP100                | Counterknife TP100               | 61001020 |  |
| 25   | 1   | Vippetud                     | Spout                            | 61000950 |  |
| 24   | 2   | Bøsning for omdrejningspunkt | Bushing for hub                  | 51004870 |  |
| 23   | 2   | Bøsning med krave Ø24/ø18x30 | Bushing with collar Ø24/ø18x30   | 51000330 |  |
| 22   | 1   | Vanguard 18hk                | Vanguard 18hk                    | 20042286 |  |
| 21   | 2   | Vibrationsdæmper P 20/15     | Vibration absorber P 20/15       | 20040007 |  |
| 20   | 2   | Sætskrue M8x10               | Set screw M8x10                  | 20030196 |  |
| 19   | 2   | Rip-lock 12mm                | Rip-lock 12mm                    | 20030124 |  |
| 18   | 2   | Rip-lock 8 mm                | Rip-lock 8 mm                    | 20030122 |  |
| 17   | 2   | Sætskrue M12x50              | Set screw M12x50                 | 20030115 |  |
| 16   | 2   | Låsemøtrik M12               | Locking nut M12                  | 20030044 |  |
| 15   | 2   | Flangeleje PCJ 40            | Flange PCJ 40                    | 20010024 |  |
| 14   | 1   | Rotor komplet TP100 MOBILE   | Rotor complete TP100 MOBILE      | 10-00163 |  |
| 13   | 1   | Overpart                     | Upperpart                        | 10-00148 |  |
| 12   | 1   | Nagleaksel rotorhus          | Shaft rotor house                | 10-00146 |  |
| 11   | 1   | Vange højre komplet          | Rigth beam Comple                | 10-00138 |  |
| 10   | 1   | Vange venstre komplet        | Left beam Complet                | 10-00137 |  |
| 9    | 1   | Motor plade svejst           | Motor plate welded               | 10-00111 |  |
| 8    | 1   | Foldbar tragt svejst         | Foldable funnel welded           | 10-00107 |  |
| 7    | 1   | Udkasterrør                  | Ejector spout                    | 10-00079 |  |
| 6    | 1   | Rotorhus                     | Rotor housing                    | 10-00066 |  |
| 5    | 1   | Dækplade                     | Cover plate                      | 10-00053 |  |
| 4    | 1   | Stop plade                   | Stop plate                       | 10-00047 |  |
| 3    | 2   | Motrikplade leje komplet     | Nut plate bearing complete       | 10-00042 |  |
| 2    | 1   | Beslag for flange, under     | Fixture for flange, below        | 10-00038 |  |
| 1    | 1   | Beslag for flange, mellem    | Fixture for flange, between      | 10-00037 |  |
| Item | Qty | Description                  | Description                      | Part no  |  |



Rotor komplet TP100 MOBILE Spare parts list

| 5    | 2   | Trykplade for knive  | Plate for knife  | 61000965 |
|------|-----|----------------------|------------------|----------|
| 4    | 4   | Støttebolt M16x1.5   | Bolt M16x1.5     | 21001760 |
| 3    | 2   | Kniv til TP 100      | Knife for TP 100 | 20040004 |
| 2    | 4   | Flangemetrik M16x1.5 | Nut M16x1.5      | 20030076 |
| 1    | 1   | Rotor                | Disc             | 10-00161 |
| Item | Qty | Description          | Description      | Part no  |

NB: Parts may be shown which are not standard on all models. N/A: Not available as spare part. See ff. pages 4  
R: Only available as spare part



| Item | Qty | Description               | Description                       | Part no  |
|------|-----|---------------------------|-----------------------------------|----------|
| 63   | 1   |                           | Test Emergency Stop               | 20042348 |
| 13   | 1   | Test Nødstop              | Test Emergency Stop               | 20042348 |
| 12   | 1   | Stjernegreb M12x70        | Stargrip M12x70                   | 20042316 |
| 11   | 1   | Varm overflade            | Hot surface                       | 20042021 |
| 10   | 1   | Fjern nøgle               | Remove key                        | 20042011 |
| 9    | 2   | Tjek tragt skilt          | Check funnel signs                | 20041970 |
| 8    | 1   | Løftepunkt                | Lifting point                     | 20041103 |
| 7    | 2   | Træd ikke op i tragten    | Dont step into the funnel         | 20040988 |
| 6    | 1   | Sikkerhedsafstand 20m     | Safety distance 20m               | 20040514 |
| 5    | 1   | Advarselsskilt rotor      | Warning sign rotor                | 20040513 |
| 4    | 1   | Advarselsskilt remme      | Warning sign belts                | 20040512 |
| 3    | 1   | Læs instruktionsbog skilt | Read Manual sign                  | 20040510 |
| 2    | 2   | Klistermærke TP 100       | Sticker TP 100                    | 20040491 |
| 1    | 3   | Hørevern blå skilt ø100   | Ear protectores blue sticker ø100 | 20040059 |

Rotor komplet TP100 MOBILE Spare parts list

NB: Parts may be shown which are not standard on all models. N/A: Not available as spare part. See ff. pages 5  
R: Only available as spare part

